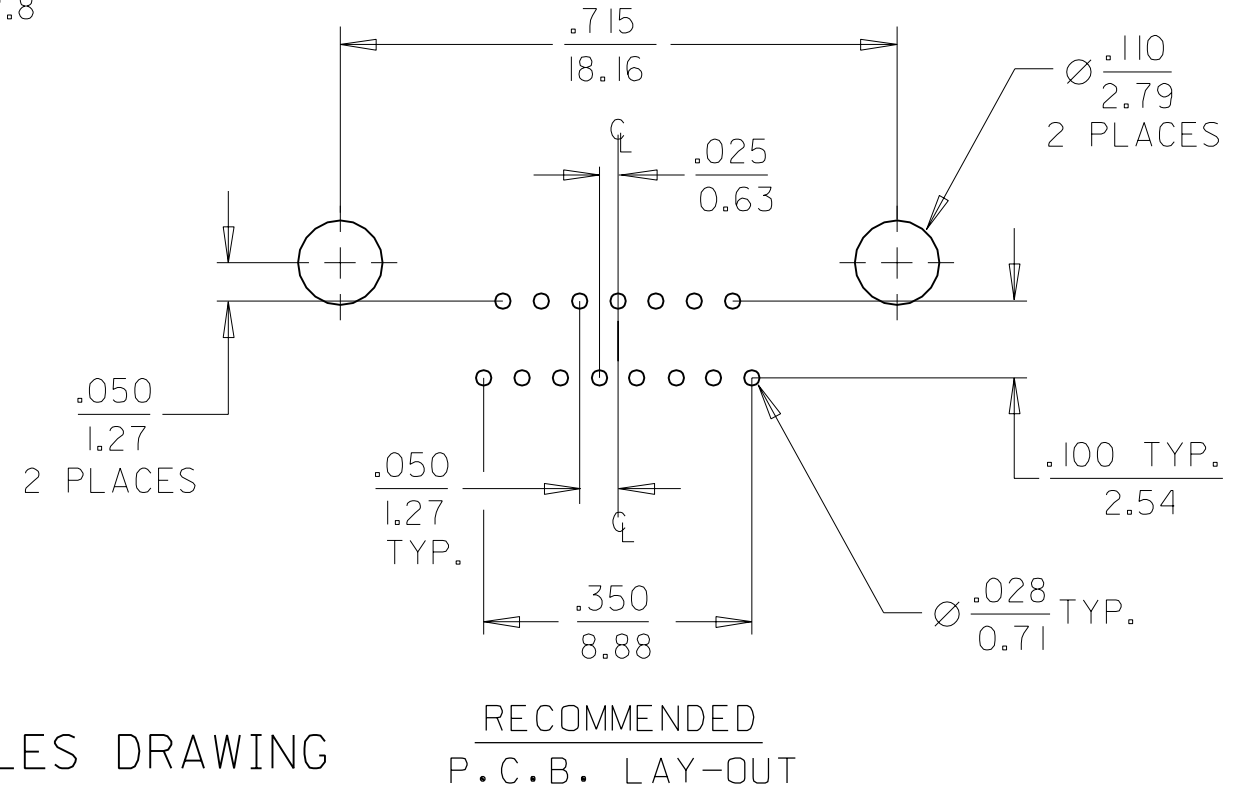
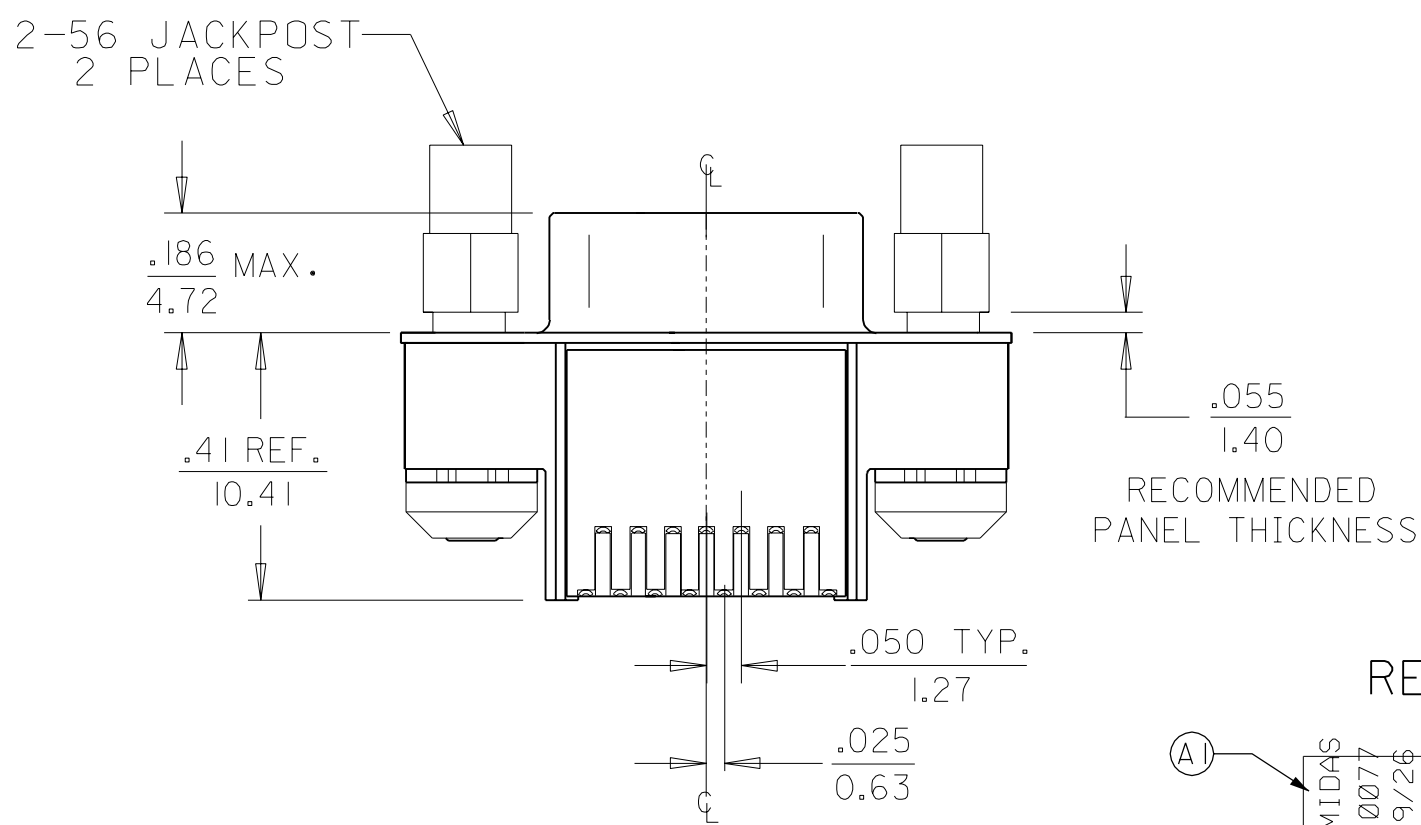
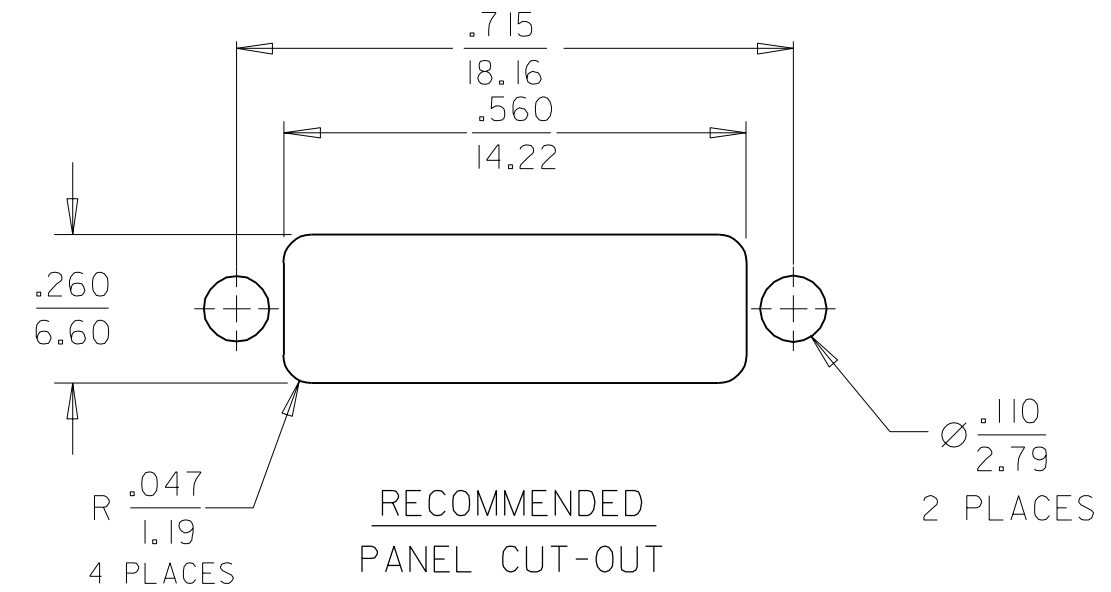
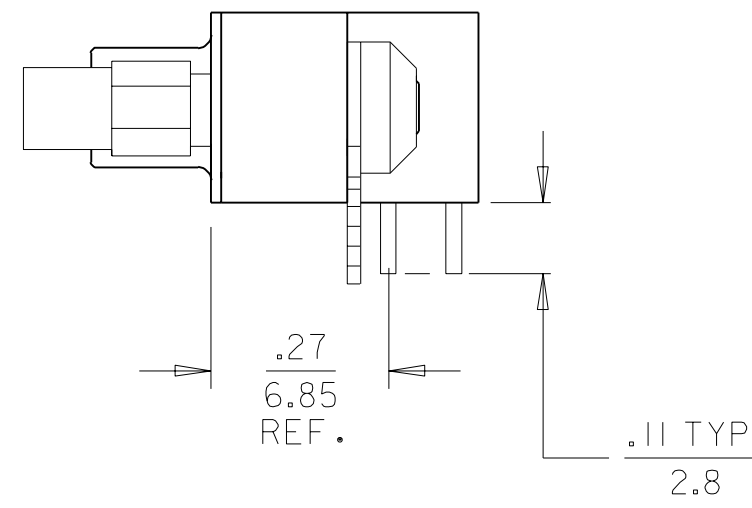
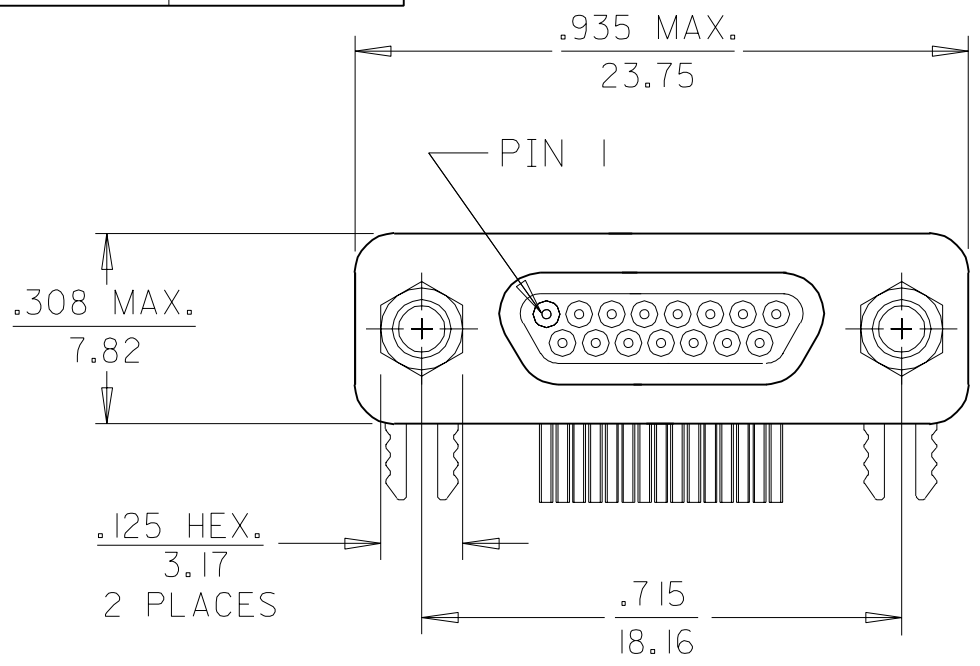


MATERIAL NO.	ENG. NO.
836129201	83612-9201

RSD-83612-010



RESTRICTED SALES DRAWING

2. MARKING: NONE.
 1. REFER TO PS-83421-9000 FOR PRODUCT SPECIFICATION.
 NOTES: UNLESS OTHERWISE SPECIFIED.

CHG TO SD IN MIDAS
 EC NO. ETC2004-0077
 DRWN: EMF 03/09/26
 CHK: HEB 03/09/26
 APPR: RSD 03/09/26
 A I

QUALITY SYMBOLS	DESCRIPTION
MAJOR =Ø	
CRITICAL =Ø	
REV	

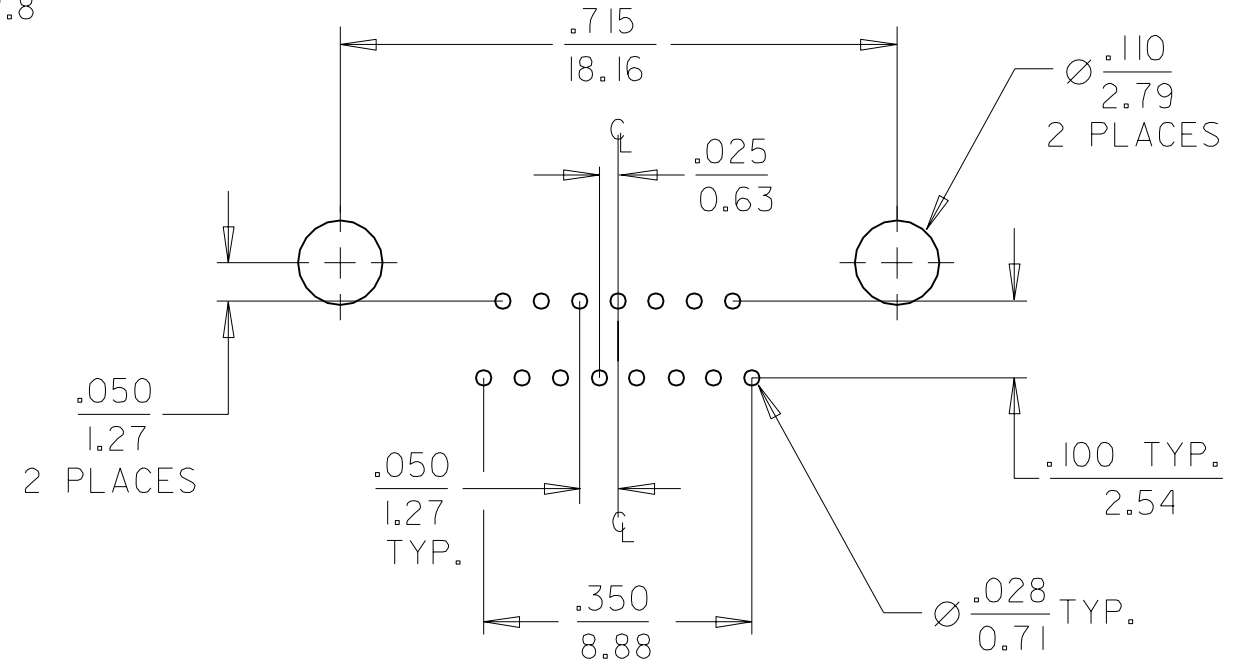
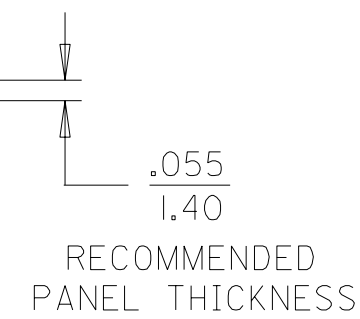
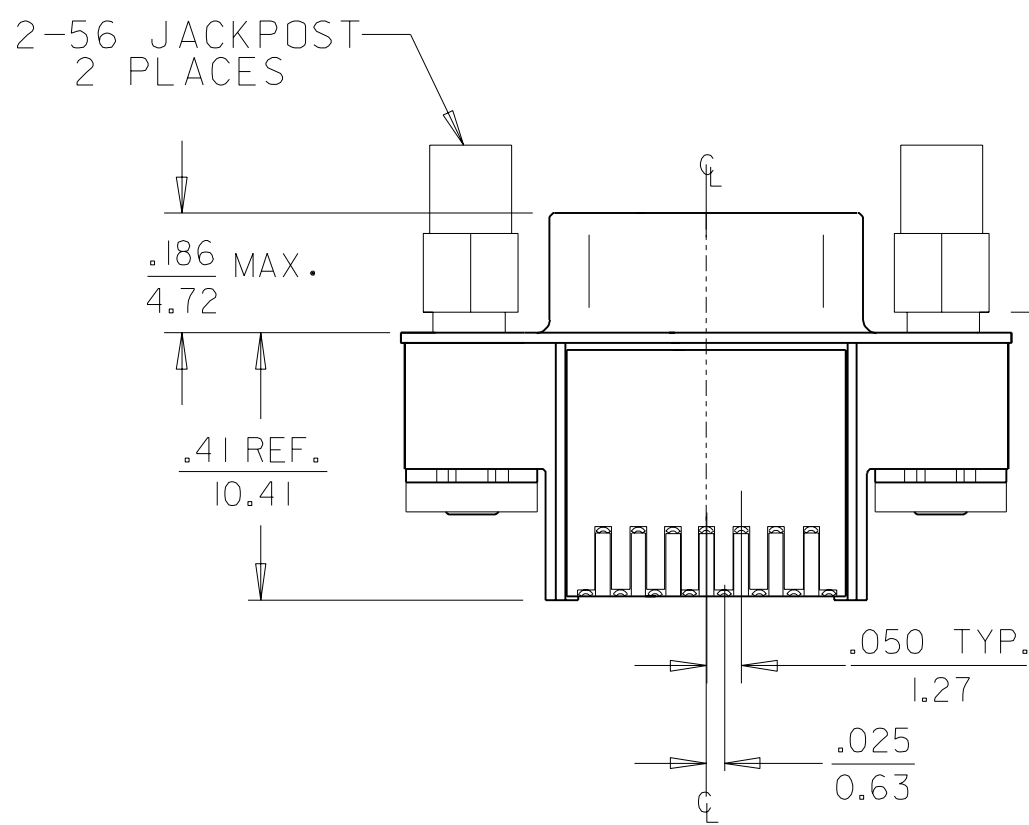
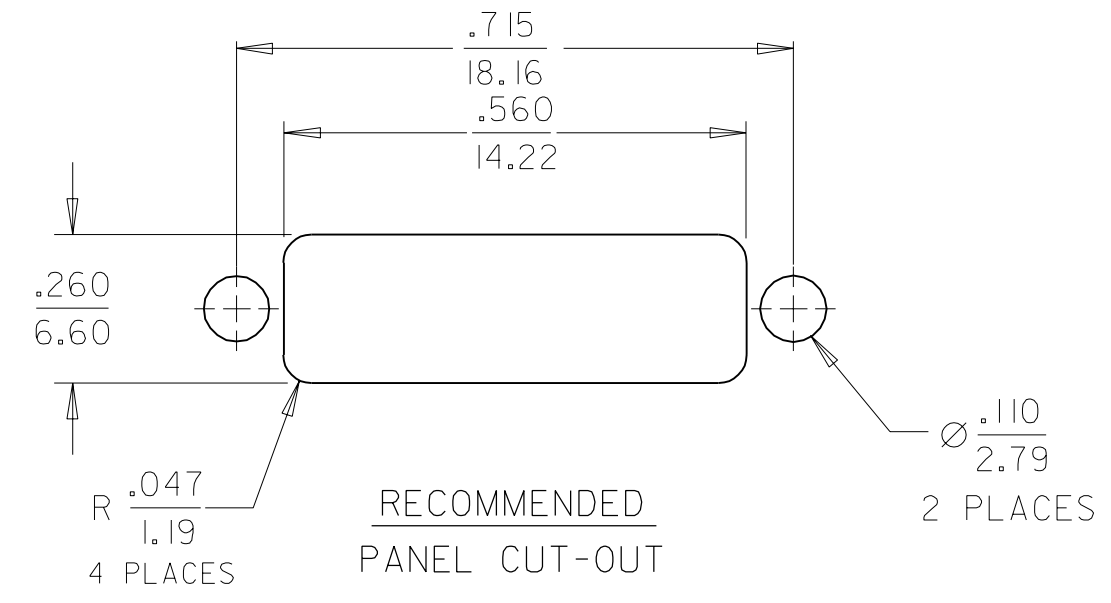
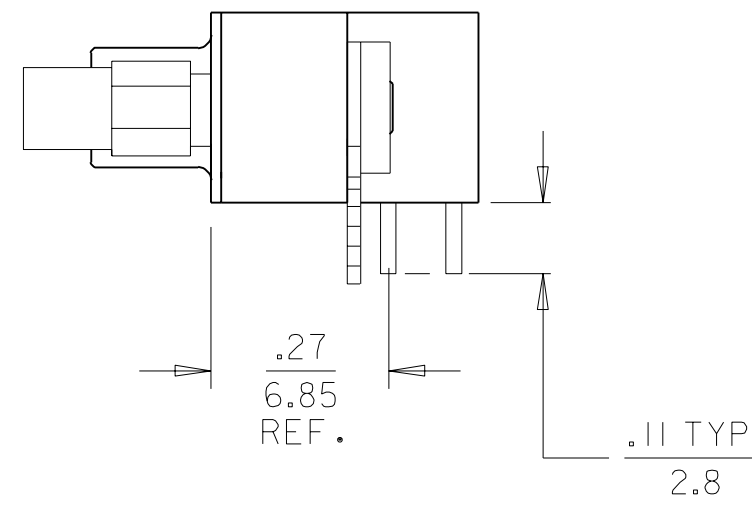
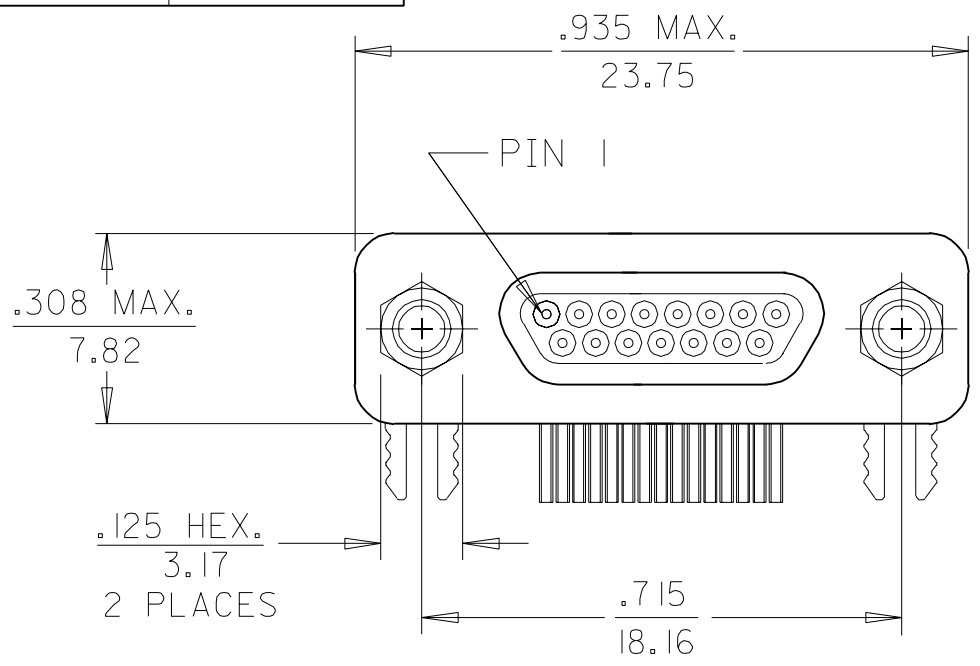
GENERAL TOLERANCES: (UNLESS SPECIFIED)	
4 PLACES	±0.----- ±.-----
3 PLACES	±0.--- ±.010
2 PLACES	±0.26 ±.020
1 PLACE	±0.50 ±.---
ANGULAR: ± 1°	
DRAFT WHERE APPLICABLE MUST REMAIN WITHIN DIMENSIONS	

SCALE NONE	DESIGN UNITS <input type="checkbox"/> mm <input checked="" type="checkbox"/> INCH
DRAWN BY & DATE JAL 03/09/15	
CHECKED BY & DATE RWD 03/09/16	
APPROVED BY & DATE RWD 03/09/22	
CAD FILENAME RSD83612010.DGN	MATERIAL NO. (SEE CHART)

DIMENSIONS: <input type="checkbox"/> mm <input checked="" type="checkbox"/> INCH <input type="checkbox"/> mm ONLY		SHT	REV
THIRD ANGLE PROJECTION			
TITLE: CONNECTOR, COMMERCIAL-D, PLUG RIGHT ANGLE, JACKPOST, SIZE			
MOLEX INCORPORATED			
DRAWING NO. RSD-83612-010	SHEET NO. 1 OF 1		
THIS DRAWING CONTAINS INFORMATION THAT IS PROPRIETARY TO MOLEX INCORPORATED AND SHOULD NOT BE USED WITHOUT WRITTEN PERMISSION.			SIZE B

MATERIAL NO.	ENG. NO.
836129201	83612-9201

SD-83612-010



SALES DRAWING

2. MARKING: NONE.
 1. REFER TO PS-83421-9000 FOR PRODUCT SPECIFICATION.
 NOTES: UNLESS OTHERWISE SPECIFIED.

EC NO. ECT2004-0096 DRWN: JAL 03/11/04 CHK: JPP 03/11/05 APPR: RWD 03/11/06 RELEASED A	QUALITY SYMBOLS MAJOR $\blacktriangle = \emptyset$ CRITICAL $\triangle = \emptyset$	GENERAL TOLERANCES: (UNLESS SPECIFIED)		SCALE NONE <input type="checkbox"/> mm <input checked="" type="checkbox"/> INCH	DESIGN UNITS <input type="checkbox"/> mm <input checked="" type="checkbox"/> INCH	DIMENSIONS: <input type="checkbox"/> mm <input checked="" type="checkbox"/> INCH <input type="checkbox"/> mm ONLY	SHT REV		
		4 PLACES ± 0.0000 $\pm .0000$	3 PLACES ± 0.0000 $\pm .0100$	2 PLACES ± 0.26 $\pm .0200$	1 PLACE ± 0.50 $\pm .0000$	DRAWN BY & DATE JAL 03/11/04	CHECKED BY & DATE JJP 03/11/05	APPROVED BY & DATE RWD 03/11/06	TITLE: CONNECTOR, COMMERCIAL-D, PLUG RIGHT ANGLE, JACKPOST, SIZE
		ANGULAR: $\pm 1^\circ$		DRAFT WHERE APPLICABLE MUST REMAIN WITHIN DIMENSIONS		CAD FILENAME SD83612010.DGN	MATERIAL NO. (SEE CHART)	DRAWING NO. SD-83612-010	SHEET NO. 1 OF 1
		THIS DRAWING CONTAINS INFORMATION THAT IS PROPRIETARY TO MOLEX INCORPORATED AND SHOULD NOT BE USED WITHOUT WRITTEN PERMISSION.						MOLEX INCORPORATED	SIZE B